



Weedoo®

SHORELINE WORKBOATS

Compact size easy to maneuver around docks. **Shallow draft** takes you to where the weeds are. **Easy to launch** no need for paved ramps. **Easy to operate** with zero turn capability. **Quick-change implements** for versatility and efficiency. **Stability** unique hull design for maximum payload and balance. **Power Options** engineered to perform in extreme conditions.

PRACTICAL AND POWERFUL SHORELINE WORKBOATS AND WORK IMPLEMENTS

- Cut shoreline vegetation
 - Mow up to five feet underwater
 - Scoop and pull weeds out by the roots
- Harvest and bag floating vegetation and debris
 - Ship to shore deposits
 - Skim oil from water surface
- Convey debris direct to collection bin/vehicle
- Use as stable platform for various work tasks on water

weedoo[®]

The logo for Weedoo, featuring the word "weedoo" in a bold, lowercase, sans-serif font. A registered trademark symbol (®) is located at the top right of the word. Below the word is a thick, black, curved line that starts under the 'w' and ends under the 'o', resembling a stylized wave or a swoosh.

Nothing cleans waterways better than Weedoo®



TigerCat

AquaHarvester

Weedoo® TigerCat® Workboat Model

Fiberglass/Kevlar® construction includes deck mounted marine boom cutter that cuts submerged plants to five feet and shaves shoreline vegetation at useful angles; front-end loader with 700 lbs. capacity; and a Weedoo highway boat trailer. Factory installed PowerPack features fluid cooled gas or diesel engine options with electric start. V.V.R. hydraulic reservoir provides eco-friendly fluid to high efficiency triple pump setup producing 27 GPM. System includes twin propulsion outdrives with Weedoo Weed-N-Mud propellers and quick change hydraulics for Weedoo aquatic work attachments. Height from waterline with boom down: 46-48 inches, which allows navigation under canal pipes and other obstacles.





Weedoo

TigerCat

TigerCat

SPECIFICATIONS

TigerCat[®]

- Cuts vegetation up to 5 feet below the surface
- Trims angled banks and shorelines
- Gathers weeds and debris
- Scoops and dumps heavy loads onto shore or barge

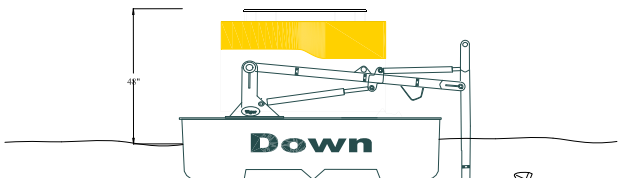


TIGERCAT[®] WORKBOAT	U.S.	METRIC
Height	8 ft	2435 mm
Width	7 ft 3 in	2225 mm
Length	15 ft	4570 mm
Gasoline Weight	2235 lbs	1000 kg
Diesel Weight	2285 lbs	1030 kg
Boat Draft	4-6 in	101-152 mm
Height from Waterline	46-48 in	1168-1219 mm
Bucket Capacity	700 lbs	317 kg

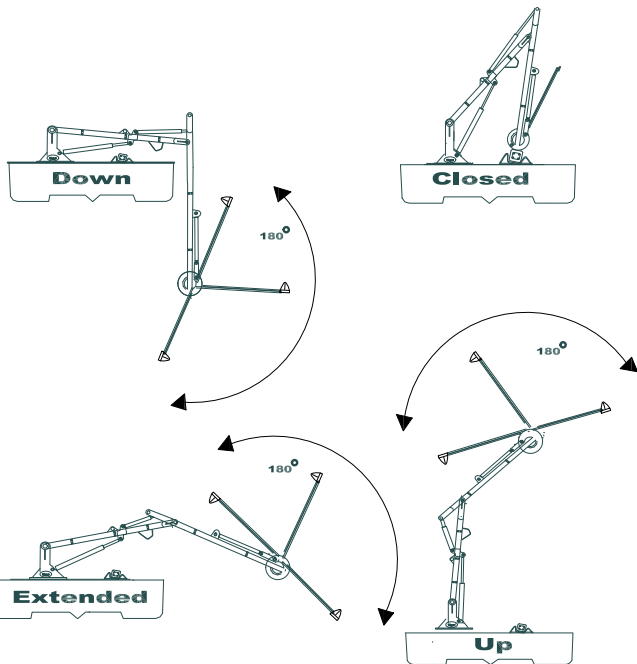
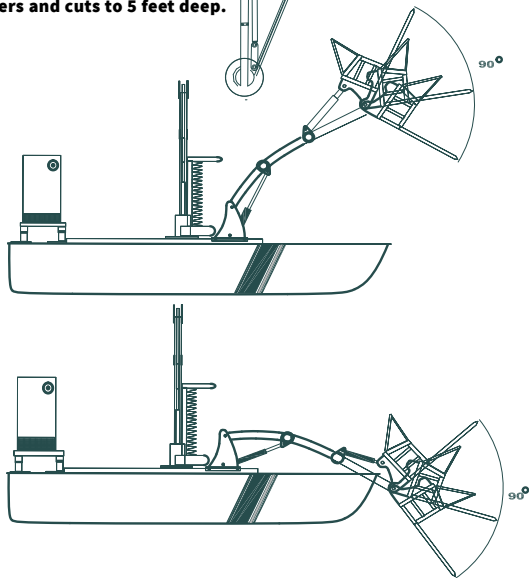
TIGERCAT[®] WORKBOAT W/TRAILER	U.S.	METRIC
Height	11 ft	3275 mm
Width	8 ft 8 in	2640 mm
Length	22 ft	6700 mm
Weight	2650 lbs	1202 kg
Diesel Weight	2700 lbs	1224 kg

ARTICULATIONS

TigerCat®



Boom lowers and cuts to 5 feet deep.



Weedoo® AquaHarvester™ Workboat Model

Fiberglass/Kevlar® construction includes Weedoo's Conveyor Harvesting System with detachable bag collection assembly and Weedoo Highway Boat Trailer.

Factory installed 24-Volt PowerPack includes Weedoo's proprietary lithium/ion/solar battery PowerPack system that runs all day without fossil fuel; includes onboard marine charger and captain helm assembly. Comes in single or twin Torqeedo outboard motors on Weedoo Trim-N-Tilt system.





AquaHarvester

SPECIFICATIONS

AquaHarvester™

- Harvest and bag floating vegetation and debris
- Convey from work deck to shoreline
- Skim oil from water surface (conversion belt available)



AQUAHARVESTER™ WORKBOAT	U.S.	METRIC
Height	5 ft	1525 mm
Width	7 ft 3 in	2225 mm
Length	15 ft	4570 mm
Weight - Single Motor	1040 lbs	471 kg
Weight - Twin Motors	1140 lbs	517 kg
Belt Length	5 ft 10 in	1524 mm
Belt Width	39.9 in	993.14 mm

AQUAHARVESTER™ W/TRAILER	U.S.	METRIC
Weight - Single Motor	1700 lbs	771 kg
Weight - Twin Motors	1800 lbs	814 kg
Width	8 ft 8 in	2640 mm
Length	22 ft	6700 mm
Height	7 ft	2130 mm

SHORELINE CONVEYORS/BAGGERS



646 EBH



427 EBH

Package Includes:

- Portable Conveyor
- 24v Portable Battery Pack w/Charger
- Adjustable Stanchion Base
- Trailer Tongue Arm
- Bagging Hoop
- Belt Cover

*Requires (2) DeKa 8AU1 Batteries,
Not Included*

646-EBH	U.S.	METRIC
Height	4 ft	900 mm
Width	4 ft	2640 mm
Belt Width	2 ft	609.6 mm
Weight	400 lbs	180 kg
Overall Length	23 ft	7010 mm
Belt Length	21 ft	6400 mm

427-EBH	U.S.	METRIC
Height	4 ft	900 mm
Width	4 ft	2640 mm
Belt Width	2 ft	609.6 mm
Weight	300 lbs	136 kg
Overall Length	16 ft	4875 mm
Belt Length	14 ft	4260 mm

SHORELINE CONVEYORS/BOAT TRAILER



Trailer/Conveyor System
700-EBH



Package Includes:

- Belt Cover
- Conveyor Permanently Mounted On DOT-Approved Trailer
- 24V Portable Battery Pack

Department of Transportation-approved trailer for 300 Series WeeDoo Workboat. Designed to convey weeds/debris from shoreline to tow vehicle.

Requires two (2) Deka 8AU1 batteries, not included.

CONVEYOR/TRAILER	U.S.	METRIC
Height	3 ft-closed	900 mm
Width	8 ft 8 in	2640 mm
Length	25 ft	7620 mm
Weight 700-EBH	900 lbs	408 kg
Trailer Capacity	3500 lbs	1580 kg
Belt Length	21 ft	6400 mm
Belt Width	2 ft	609.6 mm

ACCESSORIES

PERSONNEL CARRIER KIT



Personnel Carrier
3 Piece Set



ON BOARD CONVEYOR



MARINE BOOM CUTTER ATTACHMENT



OIL SKIMMER BELT



Oil Skimmer Belt Option for
AquaHarvester Workboat
Conversion Kit





Financing available.

Weedoo®

Nothing cleans waterways better than Weedoo®

www.weedooboats.com

Sales@Weedooboats.com

Toll Free: 844-Weedoo-2 or (561) 204-5765

Weedoo Greenboat Inc.

8100 Belvedere Road, Unit 10

West Palm Beach, FL 33411

Proudly made in the U.S.A.

Weedoo® and TigerCat® are registered in the U.S. Patent and Trademark Office.

AquaHarvester™ pending.